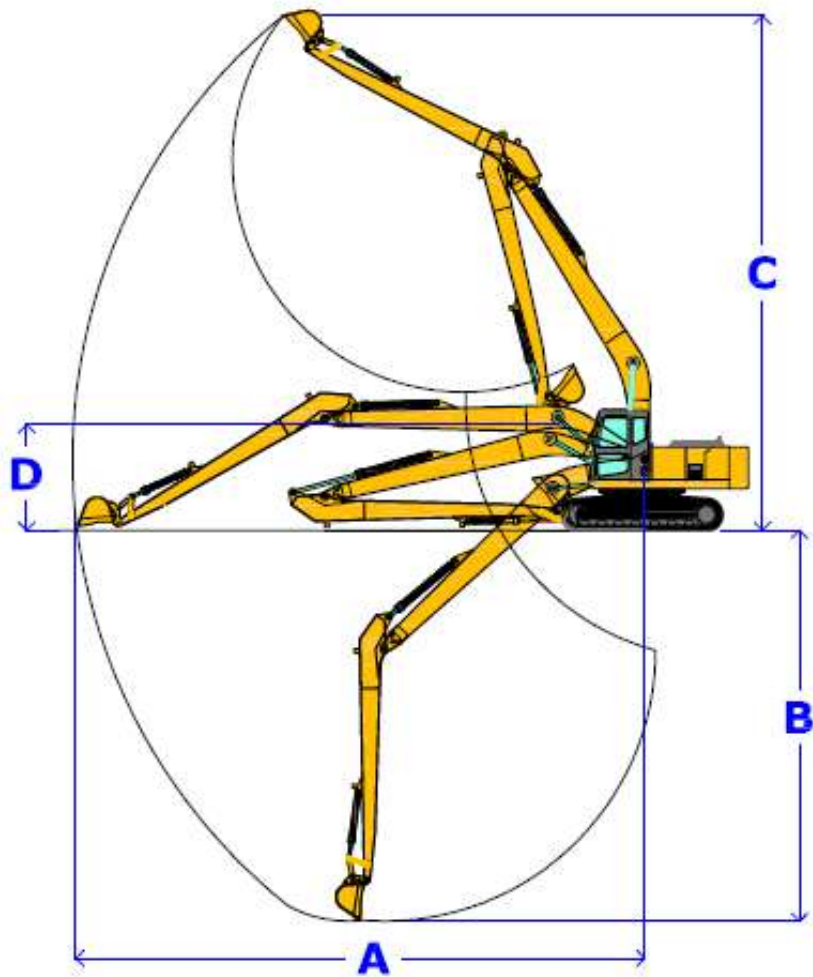
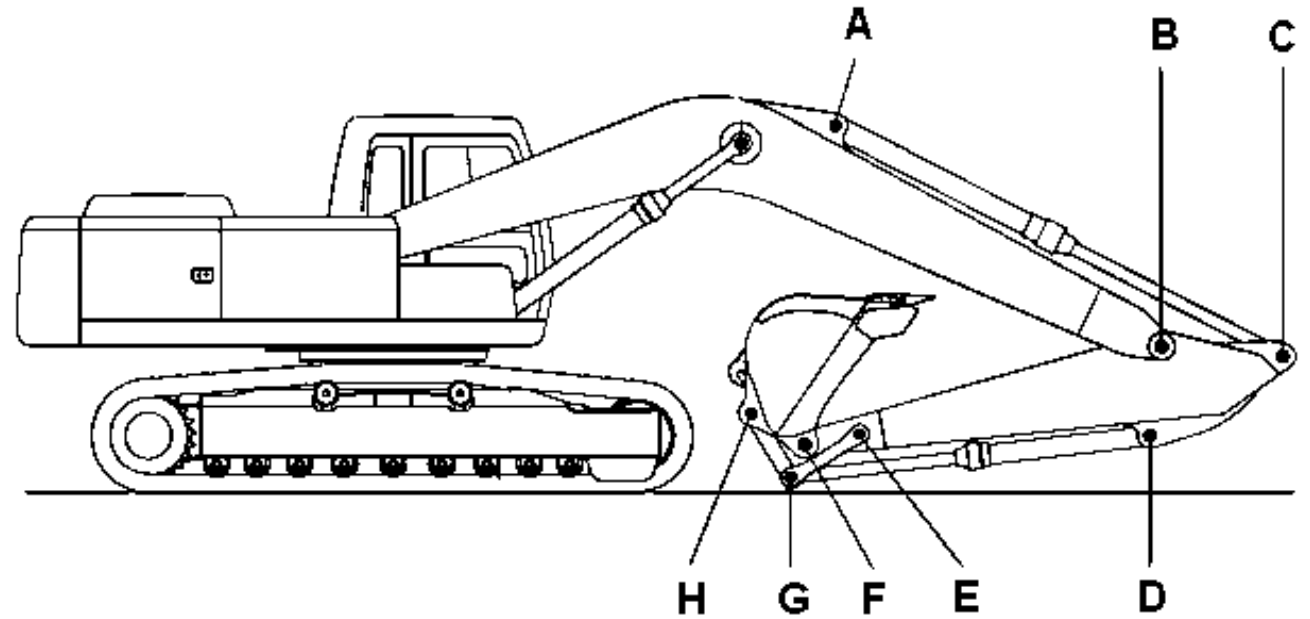


# Long Rech Front Specification Table



Each long reach package come standard with the following items:

- 1x boom with full set of hydraulic lines
- 1x stick/dipper arm with full set of hydraulic lines
- 1x bucket cylinder/ram
- 1 set of bucket cylinder hose
- 1 set of linkage
- 1x bucket
- Pins, refer to the table below



A	Arm/Stick cylinder head	E	Arm link
B	Boom front	F	Bucket and arm link
C	Arm/Stick cylinder rod	G	Bucket cylinder rod
D	Bucket cylinder head	H	Bucket link

Excavator Operating Weight	Length		A Max. Reach		B Max. Depth		C Max. Height		D Boom Height		Approximate Bucket Capacity	
	m	ft	m	ft	m	ft	m	ft	m	ft	m <sup>3</sup>	Yard <sup>3</sup>
12 - 14 ton (26,400 - 30,800 lb)	12.0	39'	12.00	39' 4"	8.30	27' 2"	10.50	34' 5"	2.10	6' 11"	0.4	0.52
	13.0	43'	13.00	42' 8"	9.00	29' 6"	10.90	35' 9"	2.10	6' 11"	0.3	0.39
15 - 16 ton (33,000 - 35,200 lb)	14.0	46'	14.00	45' 11"	10.70	35' 0"	11.80	38' 8"	2.30	7' 6"	0.4	0.52
	15.5	50'	15.50	50' 10"	11.46	37' 7"	13.78	45' 3"	2.50	8' 3"	0.50	0.65
20 - 22 ton (44,000 - 48,400 lb)	16.5	54'	16.50	54' 2"	12.16	39' 11"	14.40	47' 3"	2.50	8' 3"	0.40	0.52
	17.0	56'	17.00	55' 9"	12.01	39' 5"	14.70	48' 3"	2.70	8' 11"	0.50	0.65
23 - 27 ton (50,600 - 55,000 lb)	18.0	59'	18.00	59' 0"	12.85	42' 2"	15.60	51' 2"	2.70	8' 11"	0.40	0.52
	18.0	59'	18.00	59' 0"	13.80	45' 1"	15.20	49' 10"	3.10	10' 2"	0.60	0.78
28 - 30 ton (61,600 - 66,000 lb)	19.0	62'	19.00	62' 3"	14.00	45' 11"	15.50	50' 10"	3.10	10' 2"	0.50	0.65
	18.5	60'	18.50	60' 5"	14.50	47' 6"	15.10	49' 6"	3.40	11' 0"	0.70	0.91
33 - 35 ton (72,600 - 77,000 lb)	20.0	65'	20.00	65' 6"	16.00	52' 6"	15.60	51' 3"	3.40	11' 0"	0.60	0.78
	21.0	68'	21.00	68' 10"	15.30	50' 2"	15.58	49' 3"	3.70	12' 2"	0.80	1.04
40 - 45 ton (88,000 - 99,000 lb)	22.0	72'	22.00	72' 2"	16.25	53' 4"	15.92	52' 3"	3.70	12' 2"	0.70	0.91
	21.0	68'	21.00	68' 10"	15.00	49' 3"	15.95	52' 4"	3.95	12' 11"	1.00	1.30
46 - 55 ton (110,000 - 121,000 lb)	22.0	72'	22.00	72' 2"	15.80	51' 10"	16.05	52' 8"	3.95	12' 11"	0.90	1.17
	23.0	75'	23.00	75' 5"	17.50	57' 4"	17.50	57' 5"	4.10	13' 6"	1.20	1.56
60 - 65 ton (132,000 - 143,000 lb)	24.0	79'	24.00	78' 8"	18.10	59' 3"	19.00	62' 4"	4.60	15' 1"	1.30	1.69
	25.0	82'	25.00	82' 0"	18.60	61' 0"	19.20	62' 11"	4.70	15' 5"	1.40	1.82
80 - 90 ton (187,000 - 198,000 lb)	27.0	88'	27.00	88' 7"	20.00	65' 7"	19.00	62' 4"	5.00	16' 5"	1.60	2.08
	28.0	92'	28.00	91' 9"	21.00	68' 10"	20.00	65' 7"	5.00	16' 5"	1.40	1.82
100 - 110 ton (220,000 - 242,000 lb)	28.0	92'	28.00	91' 9"	21.00	68' 10"	20.00	65' 7"	5.50	18' 1"	1.60	2.08
	29.0	95'	29.00	95' 1"	22.00	72' 2"	20.50	67' 3"	5.50	18' 1"	1.40	1.82

\* The above specifications are for reference only, actual working range may vary from machine models.

\*\* For the benefit of continuous product improvement, specifications are subjected to change without prior notice.