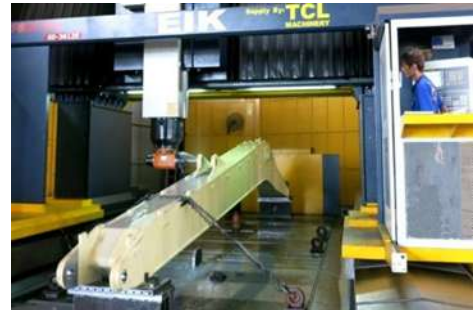


Super Long Front



With our expertise in designing and manufacturing long reach booms, you can now maximize your ROI (Return on Investment) on your existing fleet of excavators. Hundreds of customers have realized the value of long reach attachments where standard booms fail to get the necessary job done, saving valuable cost and time, and maximizing their bottom line. We supply long reach front packages for a wide range of excavator models, ranging from 10 -200 metric tons (22,000 - 488,400 lbs) operating weight.

We invest heavily in the latest high-tech equipment to stay abreast with the industry. Our facilities are equipped with sophisticated robotic welding machine and CNC line-bore machine. The boom and arm, being critical components of an excavator, require tight tolerance and precision. They are processed with these state-of-the-art machineries to ensure highest attainable quality for every piece we produce. Every time!



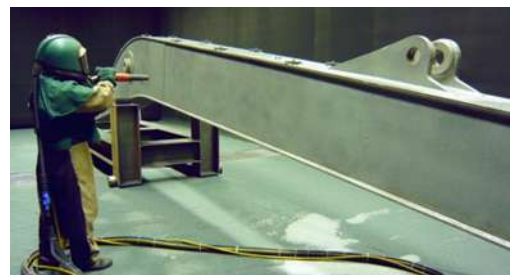
Applications:

- Ideal for river and sea dredging either on land or barge.
- Basement and deep foundation excavation.
- Construction of ditches, levees and pond maintenance.

Features:

- Heavy duty in construction.
- Design is simulated extensively, ensuring design integrity and detecting potential stress and fatigue points.
- All surfaces are shot blasted.
- Uses marine grade epoxy paint as undercoat.

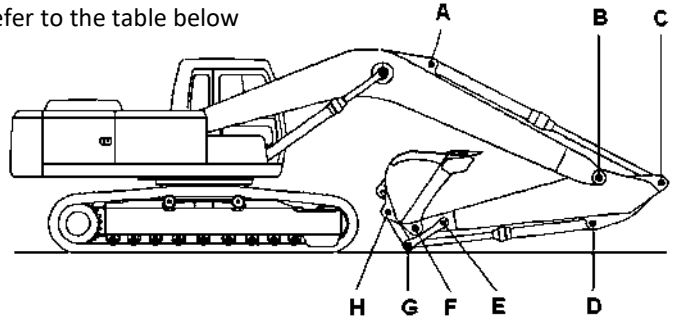
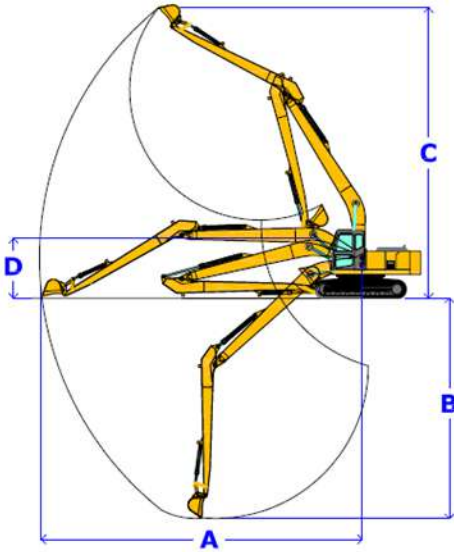
Long reach excavators work in the harshest conditions you can imagine. Our ultimate goal is to extend the dependable service life of the product. All long reach fronts are shot blasted to ensure the steel surface is thoroughly clean and free from contaminants and rust. In addition, this process presents the steel with a textured surface that provides excellent adhesion for the prime coat of paint.



Super Long Front

Each long reach package come standard with the following items:

- 1x boom with full set of hydraulic lines
- 1x stick/dipper arm with full set of hydraulic lines
- 1x bucket cylinder/ram
- 1 set of bucket cylinder hose
- 1 set of linkage
- 1x bucket
- Pins, refer to the table below



A	Arm/Stick cylinder head	E	Arm link
B	Boom front	F	Bucket and arm link
C	Arm/Stick cylinder rod	G	Bucket cylinder rod
D	Bucket cylinder head	H	Bucket link

Excavator Operating Weight	Length		A Max. Reach		B Max. Depth		C Max. Height		D Boom Height		Approximate Bucket Capacity	
	m	ft	m	ft	m	ft	m	ft	m	ft	m ³	Yard ³
12 – 14 ton (26,400 – 30,800 lb)	12.0	39'	12.00	39' 4"	8.30	27' 2"	10.50	34' 5"	2.10	6' 11"	0.4	0.52
	13.0	43'	13.00	42' 8"	9.00	29' 6"	10.90	35' 9"	2.10	6' 11"	0.3	0.39
15 – 16 ton (33,000 – 35,200 lb)	14.0	46'	14.00	45' 11"	10.70	35' 0"	11.80	38' 8"	2.30	7' 6"	0.4	0.52
20 – 22 ton (44,000 – 48,400 lb)	15.5	50'	15.50	50' 10"	11.46	37' 7"	13.78	45' 3"	2.50	8' 3"	0.50	0.65
	16.5	54'	16.50	54' 2"	12.16	39' 11"	14.40	47' 3"	2.50	8' 3"	0.40	0.52
23 – 27 ton (50,600 – 55,000 lb)	17.0	56'	17.00	55' 9"	12.01	39' 5"	14.70	48' 3"	2.70	8' 11"	0.50	0.65
	18.0	59'	18.00	59' 0"	12.85	42' 2"	15.60	51' 2"	2.70	8' 11"	0.40	0.52
28 – 30 ton (61,600 – 66,000 lb)	18.0	59'	18.00	59' 0"	13.80	45' 1"	15.20	49' 10"	3.10	10' 2"	0.60	0.78
	19.0	62'	19.00	62' 3"	14.00	45' 11"	15.50	50' 10"	3.10	10' 2"	0.50	0.65
33 – 35 ton (72,600 – 77,000 lb)	18.5	60'	18.50	60' 5"	14.50	47' 6"	15.10	49' 6"	3.40	11' 0"	0.70	0.91
	20.0	65'	20.00	65' 6"	16.00	52' 6"	15.60	51' 3"	3.40	11' 0"	0.60	0.78
40 – 45 ton (88,000 – 99,000 lb)	21.0	68'	21.00	68' 10"	15.30	50' 2"	15.58	49' 3"	3.70	12' 2"	0.80	1.04
	22.0	72'	22.00	72' 2"	16.25	53' 4"	15.92	52' 3"	3.70	12' 2"	0.70	0.91
46 – 55 ton (110,000 – 121,000 lb)	21.0	68'	21.00	68' 10"	15.00	49' 3"	15.95	52' 4"	3.95	12' 11"	1.00	1.30
	22.0	72'	22.00	72' 2"	15.80	51' 10"	16.05	52' 8"	3.95	12' 11"	0.90	1.17
60 – 65 ton (132,000 – 143,000 lb)	23.0	75'	23.00	75' 5"	17.50	57' 4"	17.50	57' 5"	4.10	13' 6"	1.20	1.56
70 – 75 ton (154,000 – 165,000 lb)	24.0	79'	24.00	78' 8"	18.10	59' 3"	19.00	62' 4"	4.60	15' 1"	1.30	1.69
80 – 90 ton (187,000 – 198,000 lb)	25.0	82'	25.00	82' 0"	18.60	61' 0"	19.20	62' 11"	4.70	15' 5"	1.40	1.82
100 – 110 ton (220,000 – 242,000 lb)	27.0	88'	27.00	88' 7"	20.00	65' 7"	19.00	62' 4"	5.00	16' 5"	1.60	2.08
	28.0	92'	28.00	91' 9"	21.00	68' 10"	20.00	65' 7"	5.00	16' 5"	1.40	1.82
120 – 130 ton (264,000 – 286,000 lb)	28.0	92'	28.00	91' 9"	21.00	68' 10"	20.00	65' 7"	5.50	18' 1"	1.60	2.08
	29.0	95'	29.00	95' 1"	22.00	72' 2"	20.50	67' 3"	5.50	18' 1"	1.40	1.82

* The above specifications are for reference only, actual working range may vary from machine models.

** For the benefit of continuous product improvement, specifications are subjected to change without prior notice.