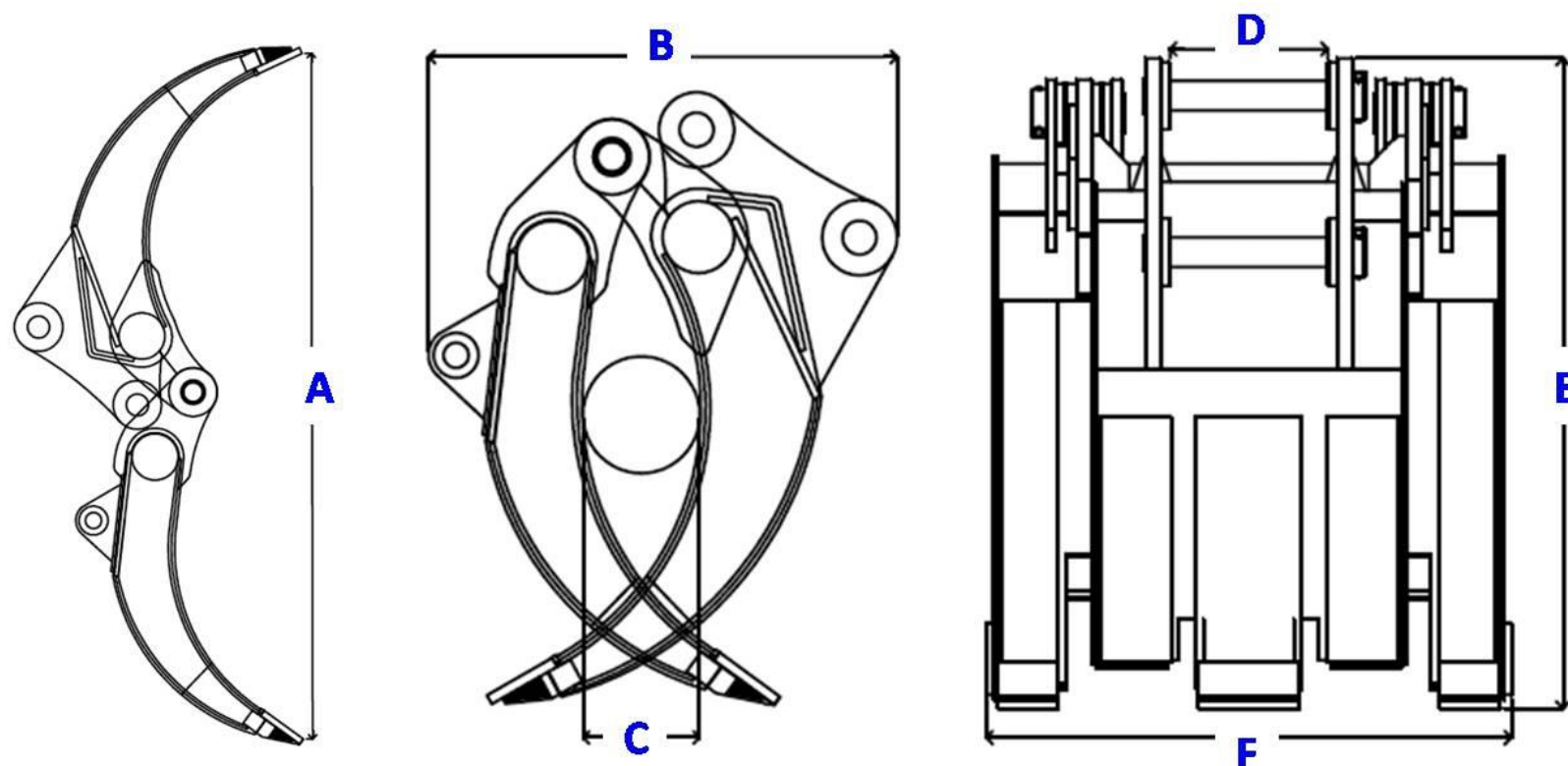


Heavy Duty Grapple Specification Table



Model	Excavator Class	Approximate Weight		A		B		C		D		E		F	
				Max Jaw Opening		Length		Min Gap Between Jaws		Distant Between Lugs		Height		Width	
				ton	kg	lb	mm	inch	mm	inch	mm	inch	mm	inch	mm
GP16xx	10-16 (22,000 – 35,200)	895	1,969	2,135	84	980	39	241	9	255	10	1,238	49	1,020	40
GP20xx	18-22 (39,600 – 48,400)	1,550	3,410	2,503	99	1,100	43	275	11	325	12.8	1,440	57	1,200	47
GP22xx	24-29 (52,800 – 63,800)	2,100	4,620	2,815	111	1,244	49	300	12	420	16.5	1,620	64	1,360	54
GP33xx	33-36 (72,600 – 79,200)	2,950	6,490	3,024	119	1,415	55	460	18	470	18.5	1,800	70	1,450	57
GP45xx	40-45 (88,000 – 99,000)	3,500	7,700	3,000	122	1,480	58	495	19	445	17	1,895	75	1,570	63
GP50xx	50-60 (110,000 – 132,000)	4,360	9,592	3,255	128	1,500	59	537	21	470	18.5	2,010	79	1,630	64
GP80xx	70-80 (154,000 – 176,000)	5,700	12,540	3,575	140	1,710	67	564	22	535	21	2,176	85	1,740	68

*Dimensions are for reference only, it may vary from excavator
 **For the benefit of continuous product improvement, specific