

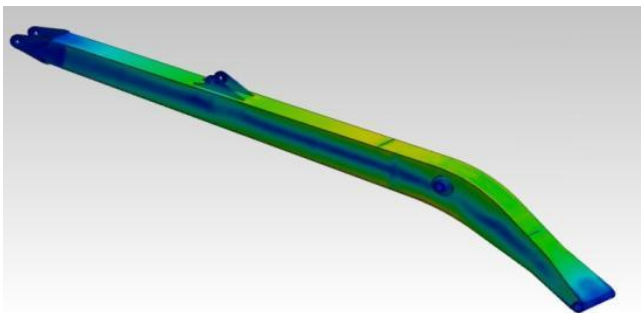


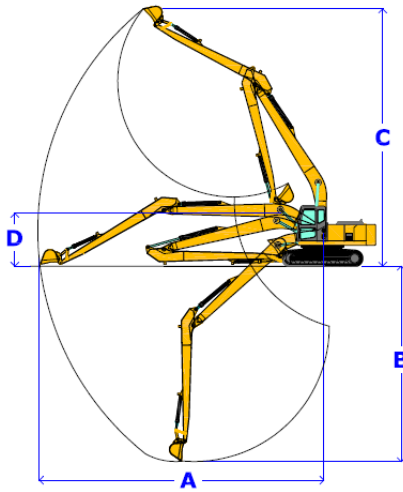
**With** our extensive experience in designing and manufacturing of long reach boom, you can now maximize your ROI (Return On Investment) on your existing fleet of excavators. Hundreds of customers have realized the value of long reach attachment where standard boom failed to get the necessary job done effectively. Our long reach boom can help you to achieve more than 50% digging depth and forward reach over a standard boom, saving you valuable cost and time, and maximizing your bottom line.

Structural grade tensile steel is used in our boom and stick construction, and we do design it with various grades of tensile steel depending on the nature of the application. We supply long reach packages for various excavator models ranging from 10 to 200 metric ton.

Many are amazed to find that a small island country of Singapore has well over 10 years history of long reach application in the construction industry. Long reach excavators are such a common sight in almost all construction sites across Singapore. The significance is not because of its popularity, but the wealth of knowledge and cumulative experience gained over the decade in designing a reliable product at the given price point. The many years of practical experience in fabrication and field testing have provided us with a solid foundation in helping our customers to customized long reach solutions for their application needs.

Product design are accomplished by utilizing latest CAD software, simulated via advance Finite Element Analysis (FEA) tools, ensuring optimum design integrity.





Each long reach package come standard with the following items:

- 1x boom with full set of hydraulic lines
- 1x stick/dipper arm with full set of hydraulic lines
- 1x bucket
- 1x bucket cylinder/ram
- 1x boom yoke pin
- 1 set of Hydraulic pressure hose
- 1 set of linkage
- 2x bucket pins
- 2x bucket link pins

| Excavator Operating Weight              | Length |     | A<br>Max. Reach |         | B<br>Max. Depth |         | C<br>Max. Height |         | D<br>Boom Height |         | Approximate Bucket Capacity |                   |
|---|--------|-----|-----------------|---------|-----------------|---------|------------------|---------|------------------|---------|-----------------------------|-------------------|
|   | m      | ft  | m               | ft      | m               | ft      | m                | ft      | m                | ft      | m <sup>3</sup>              | Yard <sup>3</sup> |
| 12 – 14 ton<br>(26,400 – 30,800 lb)     | 12.0   | 39' | 12.00           | 39' 4"  | 8.30            | 27' 2"  | 10.50            | 34' 5"  | 2.10             | 6' 11"  | 0.4                         | 0.52              |
|   | 13.0   | 43' | 13.00           | 42' 8"  | 9.00            | 29' 6"  | 10.90            | 35' 9"  | 2.10             | 6' 11"  | 0.3                         | 0.39              |
| 15 – 16 ton<br>(33,000 – 35,200 lb)     | 14.0   | 46' | 14.00           | 45' 11" | 10.70           | 35' 0"  | 11.80            | 38' 8"  | 2.30             | 7' 6"   | 0.4                         | 0.52              |
| 20 - 22 ton<br>(44,000 - 48,400 lb)     | 15.5   | 50' | 15.50           | 50' 10" | 11.46           | 37' 7"  | 13.78            | 45' 3"  | 2.50             | 8' 3"   | 0.50                        | 0.65              |
|   | 16.5   | 54' | 16.50           | 54' 2"  | 12.16           | 39' 11" | 14.40            | 47' 3"  | 2.50             | 8' 3"   | 0.40                        | 0.52              |
| 23 - 27 ton<br>(50,600 - 55,000 lb)     | 17.0   | 56' | 17.00           | 55' 9"  | 12.01           | 39' 5"  | 14.70            | 48' 3"  | 2.70             | 8' 11"  | 0.50                        | 0.65              |
|   | 18.0   | 59' | 18.00           | 59' 0"  | 12.85           | 42' 2"  | 15.60            | 51' 2"  | 2.70             | 8' 11"  | 0.40                        | 0.52              |
| 28 - 30 ton<br>(61,600 - 66,000 lb)     | 18.0   | 59' | 18.00           | 59' 0"  | 13.80           | 45' 1"  | 15.20            | 49' 10" | 3.10             | 10' 2"  | 0.60                        | 0.78              |
|   | 19.0   | 62' | 19.00           | 62' 3"  | 14.00           | 45' 11" | 15.50            | 50' 10" | 3.10             | 10' 2"  | 0.50                        | 0.65              |
| 33 - 35 ton<br>(72,600 - 77,000 lb)     | 18.5   | 60' | 18.50           | 60' 5"  | 14.50           | 47' 6"  | 15.10            | 49' 6"  | 3.40             | 11' 0"  | 0.70                        | 0.91              |
|   | 20.0   | 65' | 20.00           | 65' 6"  | 16.00           | 52' 6"  | 15.60            | 51' 3"  | 3.40             | 11' 0"  | 0.60                        | 0.78              |
| 40 - 45 ton<br>(88,000 - 99,000 lb)     | 21.0   | 68' | 21.00           | 68' 10" | 15.30           | 50' 2"  | 15.58            | 49' 3"  | 3.70             | 12' 2"  | 0.80                        | 1.04              |
|   | 22.0   | 72' | 22.00           | 72' 2"  | 16.25           | 53' 4"  | 15.92            | 52' 3"  | 3.70             | 12' 2"  | 0.70                        | 0.91              |
| 50 - 55 ton<br>(110,000 - 121,000 lb)   | 21.0   | 68' | 21.00           | 68' 10" | 15.00           | 49' 3"  | 15.95            | 52' 4"  | 3.95             | 12' 11" | 1.00                        | 1.30              |
|   | 22.0   | 75' | 22.00           | 72' 2"  | 15.80           | 51' 10" | 16.05            | 52' 8"  | 3.95             | 12' 11" | 0.90                        | 1.17              |
| 60 - 65 ton<br>(132,000 - 143,000 lb)   | 23.0   | 75' | 23.00           | 75' 5"  | 17.50           | 57' 4"  | 17.50            | 57' 5"  | 4.10             | 13' 6"  | 1.20                        | 1.56              |
| 70 - 75 ton<br>(154,000 - 165,000 lb)   | 24.0   | 79' | 24.00           | 78' 8"  | 18.10           | 59' 3"  | 19.00            | 62' 4"  | 4.60             | 15' 1"  | 1.40                        | 1.82              |
| 80 - 85 ton<br>(176,000 - 187,000 lb)   | 25.0   | 82' | 25.00           | 82' 0"  | 18.60           | 61' 0"  | 19.20            | 62' 11" | 4.70             | 15' 5"  | 1.50                        | 1.95              |
| 100 - 110 ton<br>(220,000 - 242,000 lb) | 27.0   | 88' | 27.00           | 88' 7"  | 20.00           | 65' 7"  | 19.00            | 62' 4"  | 5.00             | 16' 5"  | 1.60                        | 2.08              |
|   | 28.0   | 92' | 28.00           | 91' 9"  | 21.00           | 68' 10" | 20.00            | 65' 7"  | 5.00             | 16' 5"  | 1.40                        | 1.82              |
| 120 - 130 ton<br>(264,000 - 286,000 lb) | 28.0   | 92' | 28.00           | 91' 9"  | 21.00           | 68' 10" | 20.00            | 65' 7"  | 5.50             | 18' 1"  | 1.60                        | 2.08              |
|   | 29.0   | 95' | 29.00           | 95' 1"  | 22.00           | 72' 2"  | 20.50            | 67' 3"  | 5.50             | 18' 1"  | 1.40                        | 1.82              |

\* The above specifications are for reference only, actual working range may vary from machine models.

\*\* For the benefit of continuous product improvement, specifications are subject to change without prior notice.

## 3-Piece Super Long Front

We invest heavily in the latest high-tech equipment to stay abreast with the industry. The boom and arm, being critical components of an excavator, require tight tolerance and



precision. They are bored with a state-of-the-art CNC line-bore machine to ensure perfect alignment at the highest attainable precision for every piece we produce. Every time!



Super long front excavators work in the harshest conditions you can ever imagine. Our ultimate goal is to extend the dependable service life of the product. All long reach front are shot blasted to ensure that the surface is thoroughly clean and free from contaminants and rust. In addition, this process presents the steel with a surface texture that provides



excellent adhesion of prime coat of paint.

Paint works are carried out in industrial grade paint room by highly trained specialist. A layer of primer is applied prior to the final coats of paint with matching colour to the machine that it will be installed.



The finished product is deemed incomplete without the final QC inspection. Every item is thoroughly checked prior to packaging. The subsequent final round of post-packaging inspection is carried out before it is released for shipment.





Our headquarter is located in the city of Johor Bahru within the state of Johor, a metropolitan city at the southernmost tip of Peninsular Malaysia with a population of over two million. It is a mere 10 minute journey from Singapore across the Straits of Johor.

**EIK Engineering Sdn. Bhd.**

No. 10 (PTD 5749), Jalan SiLC ¼, Kawasan Perindustrian SiLC,  
79200 Nusajaya, Johor, Malaysia.

Tel: +607-531 9922, Fax: +607-531 9919

E-mail: [sales@eikengineering.com](mailto:sales@eikengineering.com) / [info@eikengineering.com](mailto:info@eikengineering.com)

**Eik Lam Engineering Sdn. Bhd.**

24, Jalan Mega 1/4, Taman Perindustrian Nusa cemerlang,  
79200, Nusajaya, Johor Darul Takzim, Malaysia

Tel: +607-554 2700

E-mail: [eiklamsb@streamyx.com](mailto:eiklamsb@streamyx.com)

**Regional Sales Offices:****Singapore****EIK Singapore**

Blk 135, Jurong East Gateway Road, #03-315, Singapore  
600135

Tel: +65-9815 9685, Fax: +65-6877 0013

E-mail: [sales@eikengineering.com](mailto:sales@eikengineering.com) / [info@eikengineering.com](mailto:info@eikengineering.com)

**Japan****EIK Japan**

No. 7-10, Kotobashi 2-Chome, Sumida-Ku, Tokyo 130-0022,  
Japan

Tel: +81-3-6905-8885, Fax: +81-3-6905-8883

E-mail: [japan\\_sales@eikengineering.com](mailto:japan_sales@eikengineering.com)

**Vietnam****EIK Vietnam**

Room 2104, 25T1 Office Building,  
Lot N05, Hoang Dao Thuy Street, Trung Hoa Ward,  
Cau Giay District, Hanoi, Vietnam

Tel: +84-4-35190374, Fax: +84-4-35190390

E-mail: [vietnam\\_sales@eikengineering.com](mailto:vietnam_sales@eikengineering.com)

**Malaysia****Kuala Lumpur**

No. 28, Jalan Astaka U8/84A,  
Bukit Jelutong, 40150, Shah Alam, Selangor.

Tel: +607-531 9922, Fax: +607-531 9921

E-mail: [sales\\_kl@eikengineering.com](mailto:sales_kl@eikengineering.com)

**Sabah**

Jalan Sulaman, Kg. Bendulan,  
88450 Kota Kinabalu, Sabah.

Tel: Tel: +60 82-335 922, Fax : +6082-345 922

E-mail: [sales\\_sarawak@eikengineering.com](mailto:sales_sarawak@eikengineering.com)

**Sarawak**

Lot 1176 , Section 66 , Kuching Town Land District ,  
Jalan Utama , Pending Industrial Estate,  
93450 Kuching , Sarawak.

Tel: +60 82-335 922, Fax : +6082-345 922

E-mail: [sales\\_sarawak@eikengineering.com](mailto:sales_sarawak@eikengineering.com)

