



An ultra high reach demolition boom is a purpose-built attachment to elevate demolition tool in tearing down multi-story buildings. The beauty of the demolition boom is in its ease of positioning and flexibility in manoeuvring of tool in carry out primary and secondary demolition jobs safely. EIK attachments are engineered for performance, reliability and low total cost of ownership in mind. We fully understand the harsh working requirement, there is no compromised in the materials use for such highly specialize piece of attachment.

The main boom can design with a modular quick coupling joint for

efficient mounting and dismantling, as well as ease of ground handling and transportation.



With the greater emphasis on work environment safety and stricter regulation, demolition boom is fast becoming the choice attachment for demolishing of old buildings.



Replacing the traditional and accident prone practice in which standard crawler excavators are lifted onto the building to carry out highly dangerous tasks where a minor misstep by the operator could have disastrous consequences, the demolition boom has changed the entire concept of tearing down buildings, not only improving the overall safety standard, but also extending the working radius and reach of the attachment. These are the respects where standard excavators and traditional practices fall short.

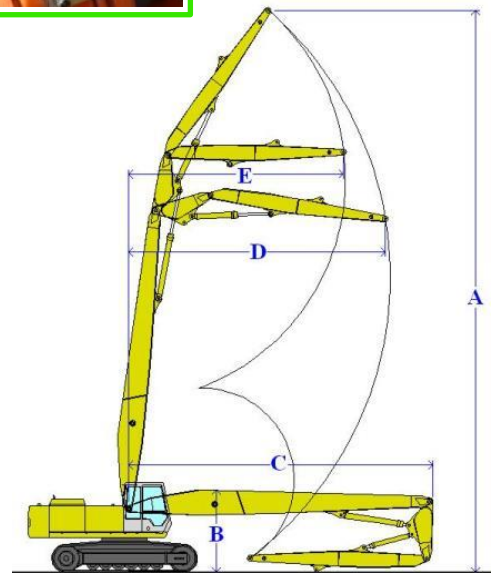


We design and customize demolition solutions for every makes and models of hydraulic excavator, starting from 10 metric ton (22,000 lb) mini excavator and upward. Depending on your excavator size, the demolition boom can easily handle work tool ranging from 0.5 ton (1,100 lb) to 4 ton (8,800 lb) of weight.

We do undertake entire turnkey solution in which we convert your existing excavator to a full fledge demolition equipment. The conversion is not restricted to the followings:

- Counterweight.
- Operator cab protection.
- Tilting or elevation of operator cab.
- Auxiliary hydraulic lines for attachment.
- Widening and lengthening of undercarriage.
- Safety check valves installation on hydraulic cylinders.
- Full commissioning of newly converted machine.

We offer our customers the option to install safety check valves for the hydraulic cylinders as an added safety feature. In situation where the hydraulic system failed, the safety valves will lock and hold the load in position. Under no circumstances safety should be a compromised when affordable, reliable and proven technology is readily available. The installation is designed not to have any effect whatsoever on the normal operating function of an excavator.



| Excavator Operating Weight | A | | B | | C | | D | | E | | Maximum Tool Weight | |
|-----------------------------------|------|--------|-----|-------|------|-------|------|--------|-----|--------|---------------------|-------|
| | m | ft | m | ft | m | ft | m | ft | m | ft | ton | lb |
| 12 - 15 ton (26,400 - 33,000 lb) | 13.5 | 44'2" | 2 | 6'7" | 8 | 26'3" | 6.5 | 21'4" | 5.3 | 17'5" | 0.8 | 1,760 |
| 16 - 18 ton (35,200 - 39,600 lb) | 15 | 49'2" | 2.3 | 7'7" | 8.5 | 37'4" | 6.8 | 22'4" | 6 | 19'8" | 0.9 | 1,980 |
| 20 - 22 ton (44,000 - 48,400 lb) | 17 | 55'9" | 2.5 | 8'2" | 9.2 | 30'2" | 7.8 | 25'7" | 6.5 | 21'4" | 1.2 | 2,640 |
| 25 - 28 ton (55,000 - 61,600 lb) | 18.5 | 60'8" | 2.7 | 8'10" | 9.8 | 32'1" | 8.2 | 26'10" | 6.8 | 22'3" | 1.5 | 3,300 |
| 30 - 35 ton (66,000 - 77,000 lb) | 21 | 68'10" | 3 | 9'10" | 10.5 | 34'5" | 8.8 | 28'10" | 7.3 | 23'11" | 2 | 4,400 |
| 40 - 50 ton (88,000 - 110,000 lb) | 25 | 82'0" | 3.5 | 11'6" | 13.5 | 44'3" | 14.8 | 48'6" | 13 | 42'7" | 2.5 | 5,500 |

* The above specifications are for reference only, actual working range may vary from machine models.

** For the benefit of continuous product improvement, specifications are subject to change without prior notice.

3-Piece Super Long Front

We invest heavily in the latest high-tech equipment to stay abreast with the industry. The boom and arm, being critical components of an excavator, require tight tolerance and



precision. They are bored with a state-of-the-art CNC line-bore machine to ensure perfect alignment at the highest attainable precision for every piece we produce. Every time!



Super long front excavators work in the harshest conditions you can ever imagine. Our ultimate goal is to extend the dependable service life of the product. All long reach front are shot blasted to ensure that the surface is thoroughly clean and free from contaminants and rust. In addition, this process presents the steel with a surface texture that provides



excellent adhesion of prime coat of paint.

Paint works are carried out in industrial grade paint room by highly trained specialist. A layer of primer is applied prior to the final coats of paint with matching colour to the machine that it will be installed.



The finished product is deemed incomplete without the final QC inspection. Every item is thoroughly checked prior to packaging. The subsequent final round of post-packaging inspection is carried out before it is released for shipment.





Our headquarter is located in the city of Johor Bahru within the state of Johor, a metropolitan city at the southernmost tip of Peninsular Malaysia with a population of over two million. It is a mere 10 minute journey from Singapore across the Straits of Johor.

EIK Engineering Sdn. Bhd.

No. 10 (PTD 5749), Jalan SiLC ¼, Kawasan Perindustrian SiLC,
79200 Nusajaya, Johor, Malaysia.

Tel: +607-531 9922, Fax: +607-531 9919

E-mail: sales@eikengineering.com / info@eikengineering.com

Eik Lam Engineering Sdn. Bhd.

24, Jalan Mega 1/4, Taman Perindustrian Nusa cemerlang,
79200, Nusajaya, Johor Darul Takzim, Malaysia

Tel: +607-554 2700

E-mail: eiklamsb@streamyx.com

Regional Sales Offices:**Singapore****EIK Singapore**

Blk 135, Jurong East Gateway Road, #03-315, Singapore
600135

Tel: +65-9815 9685, Fax: +65-6877 0013

E-mail: sales@eikengineering.com / info@eikengineering.com

Japan**EIK Japan**

No. 7-10, Kotobashi 2-Chome, Sumida-Ku, Tokyo 130-0022,
Japan

Tel: +81-3-6905-8885, Fax: +81-3-6905-8883

E-mail: japan_sales@eikengineering.com

Vietnam**EIK Vietnam**

Room 2104, 25T1 Office Building,
Lot N05, Hoang Dao Thuy Street, Trung Hoa Ward,
Cau Giay District, Hanoi, Vietnam

Tel: +84-4-35190374, Fax: +84-4-35190390

E-mail: vietnam_sales@eikengineering.com

Malaysia**Kuala Lumpur**

No. 28, Jalan Astaka U8/84A,
Bukit Jelutong, 40150, Shah Alam, Selangor.

Tel: +607-531 9922, Fax: +607-531 9921

E-mail: sales_kl@eikengineering.com

Sabah

Jalan Sulaman, Kg. Bendulan,
88450 Kota Kinabalu, Sabah.

Tel: Tel: +60 82-335 922, Fax : +6082-345 922

E-mail: sales_sarawak@eikengineering.com

Sarawak

Lot 1176 , Section 66 , Kuching Town Land District ,
Jalan Utama , Pending Industrial Estate,
93450 Kuching , Sarawak.

Tel: +60 82-335 922, Fax : +6082-345 922

E-mail: sales_sarawak@eikengineering.com

